



Republic of the Philippines  
**Department of Environment and Natural Resources**  
ENVIRONMENTAL MANAGEMENT BUREAU  
DENR Compound, Visayas Avenue, Diliman, Quezon City, 1116  
Telephone Nos. 927-15-17, 928-20-96  
Email: [emb@emb.gov.ph](mailto:emb@emb.gov.ph)  
Visit us at <http://www.emb.gov.ph>

**SUPPLEMENTAL/BID BULLETIN NO. 2**

**Supply, Delivery, Installation and Commissioning for the Upgrading of Server Room Network and Security System**

**ITB No. EMB-GOODS-NCB-2018-0012**

This clarification No. 5719801-2 is issued to clarify/amend item/s in the issued notice posted in PhilGEPS with reference No. 5719801. This Bid Bulletin shall form an integral part of the bid documents

Name of Project : **Supply, Delivery, Installation and Commissioning for the Upgrading of Server Room Network and Security System**

Date : November 06, 2018

Announcing the amendments/correction on the issued bidding documents:

<b>Old Schedule</b>	<b>New Schedule</b>
Deadline for Submission of Bids: November 08, 2018, 9:00 a.m.	Deadline for Submission of Bids at Record Section, AFMD Office, HRD Building DENR Compound on: November 12, 2018, 9:00 a.m.
Opening of Bids: November 08, 2018, 10:00 a.m.	Opening of Bids: November 12, 2018, 10:00 a.m.

For guidance and information of all concerned.

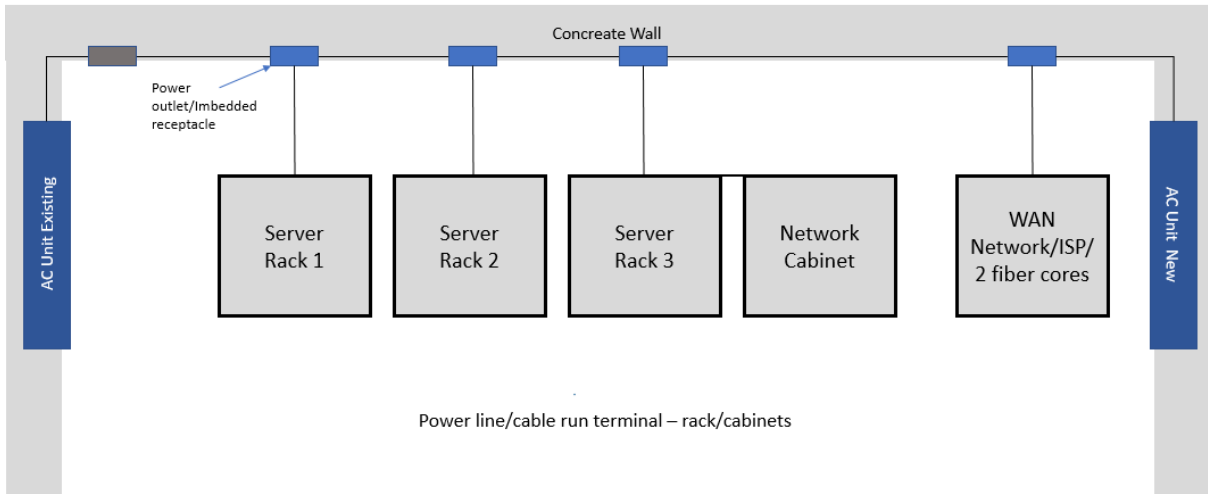
**(SGD)MS. CONSOLACION P. CRISOSTOMO**  
BAC Vice-Chairperson

Received by the Bidder:

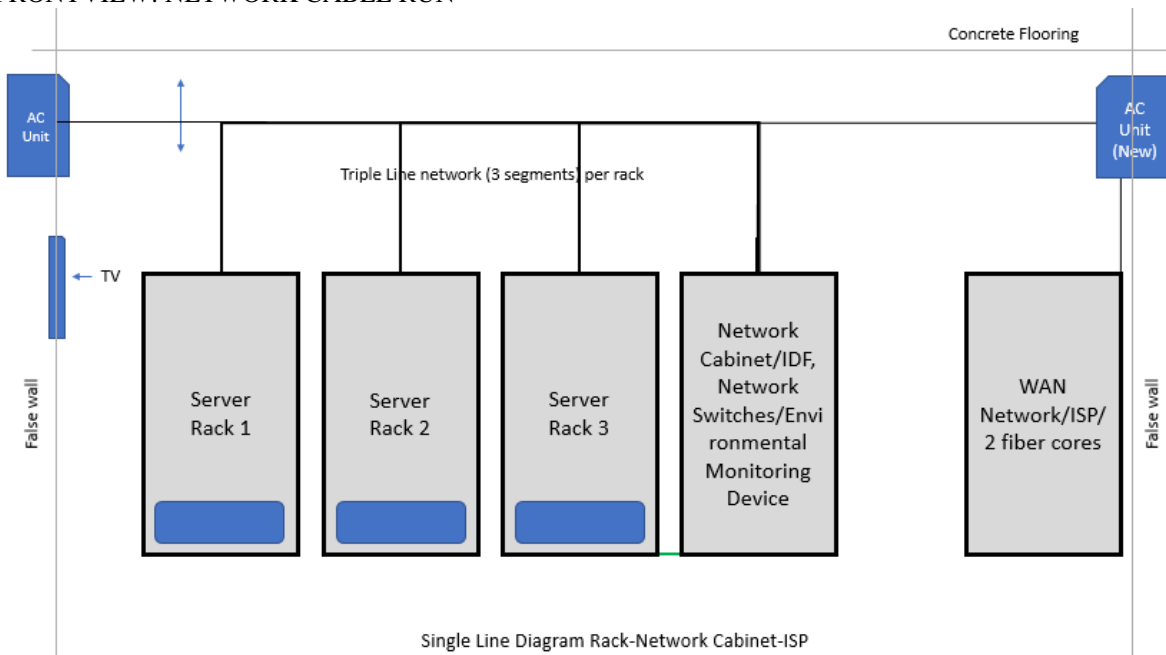
\_\_\_\_\_  
Date: \_\_\_\_\_

# SERVER ROOM

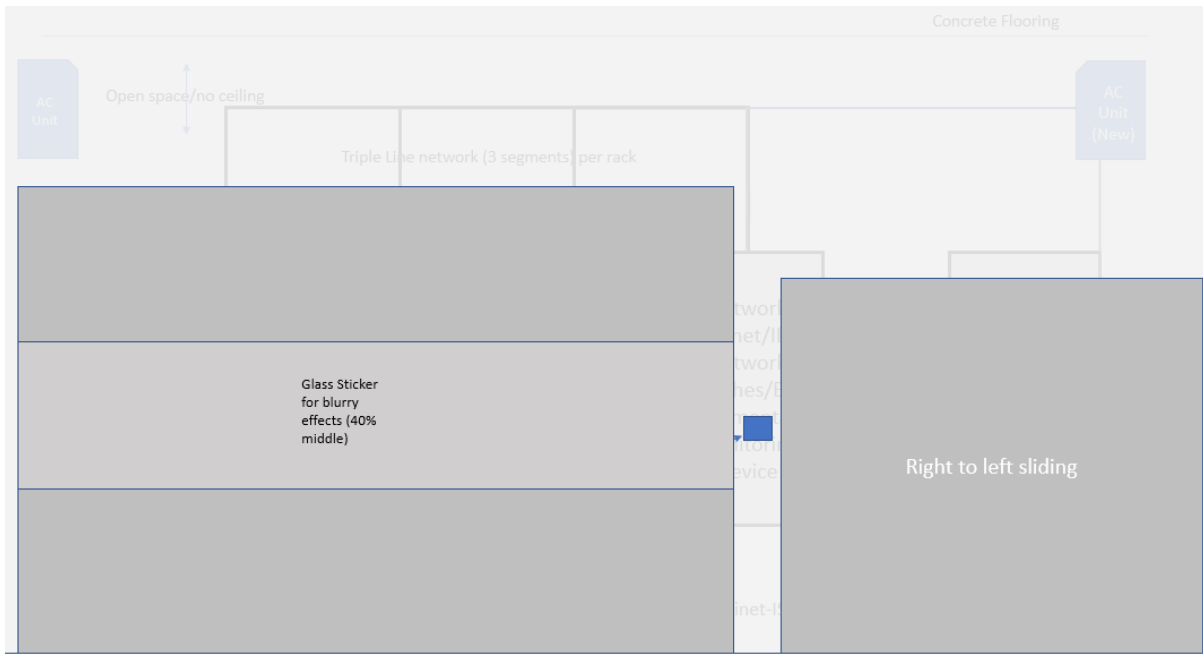
TOP VIEW: POWER CABLE RUN



FRONTVIEW: NETWORK CABLE RUN



## FRONTVIEW: GLASS WALL AND SLIDING DOOR



## OPERATION CENTER/CONFERENCE ROOM

