



SUPPLEMENTAL/BID BULLETIN NO. 1

Supply, Delivery, Installation and Commissioning for the Upgrading of Server Room Network and Security System

ITB No. EMB-GOODS-NCB-2018-0012

This clarification No. 5719801-1 is issued to clarify/amend item/s in the issued notice posted in PhilGEPS with reference No. 5719801. This Bid Bulletin shall form an integral part of the bid documents

Name of Project : **Supply, Delivery, Installation and Commissioning for the Upgrading of Server Room Network and Security System**

Date : October 29, 2018

Announcing the amendments/correction on the issued bidding documents:

| Old Schedule | New Schedule |
|--|--|
| Deadline for Submission of Bids: November 05, 2018, 9:00 a.m. | Deadline for Submission of Bids at Record Section, AFMD Office, HRD Building DENR Compound on: November 08, 2018, 9:00 a.m. |
| Opening of Bids: November 05, 2018, 10:00 a.m. | Opening of Bids: November 08, 2018, 10:00 a.m. |
| | Please see attached Design/Layout of new Data Center |

For guidance and information of all concerned.

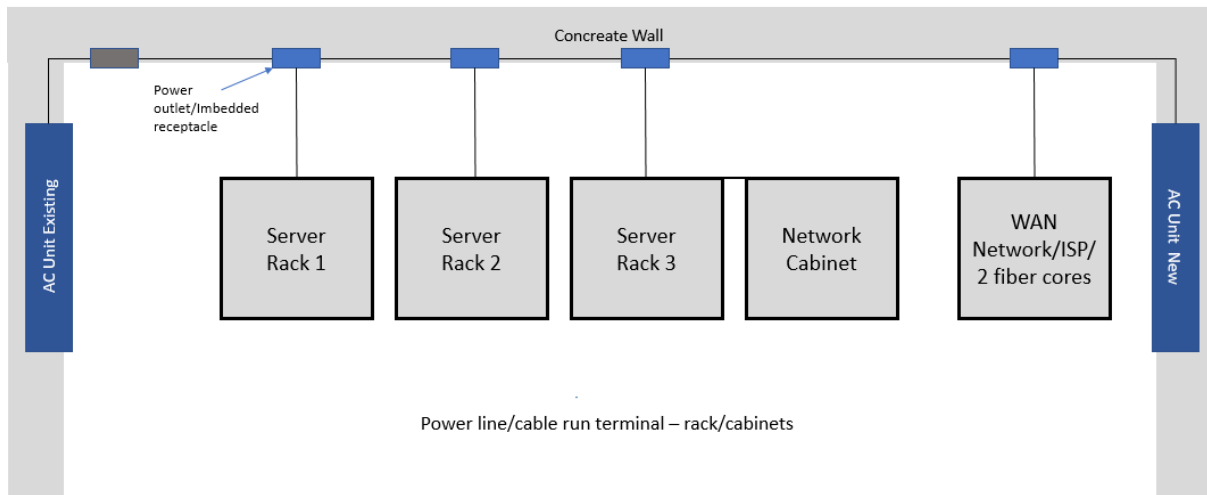
(Sgd.) MS. CONSOLACION P. CRISOSTOMO
BAC Vice-Chairperson

Received by the Bidder:

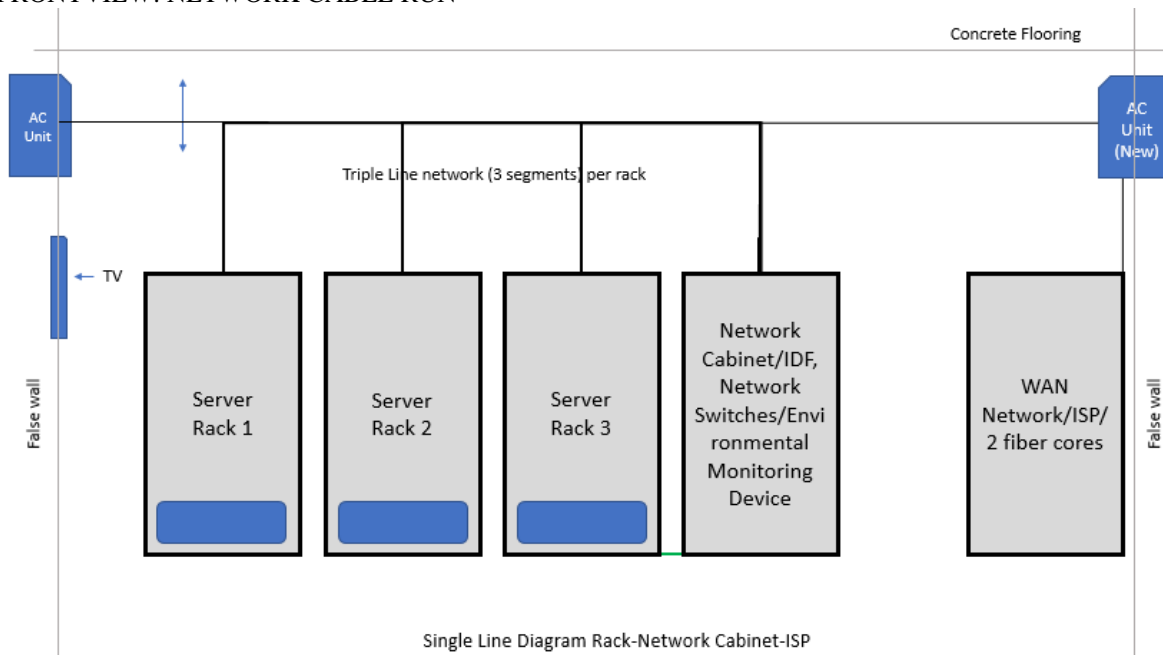
Date: _____

SERVER ROOM

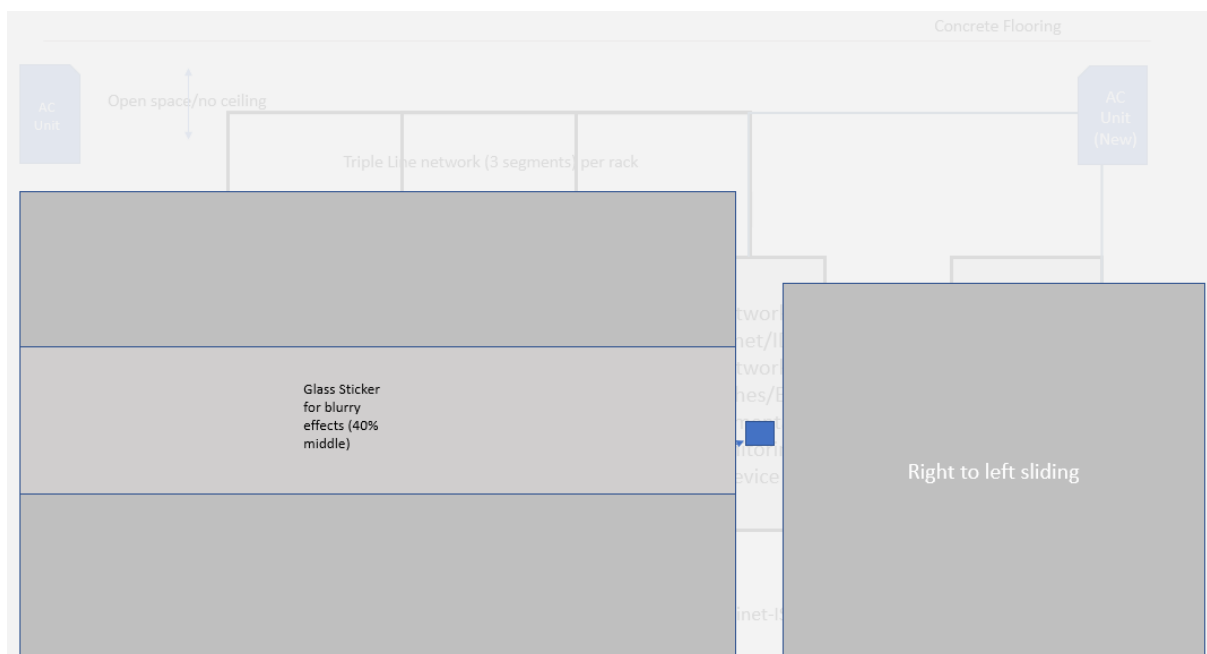
TOP VIEW: POWER CABLE RUN



FRONTVIEW: NETWORK CABLE RUN



FRONTVIEW: GLASS WALL AND SLIDING DOOR



OPERATION CENTER/CONFERENCE ROOM

